



| | | | | | | |
|----------|--|------|--|-----|-----------|--|
| PROJECT | | REF | | REV | ITEM CODE | |
| LOCATION | | DATE | | | PAGE | |

SANITARY WARE SPECIFICATION SHEET

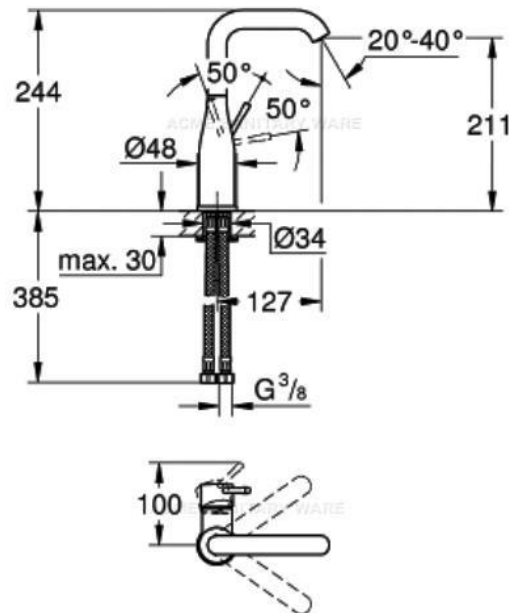
| | |
|-------------------|---|
| Item Descriptions | GROHE (Germany) "Essence" Brushed nickel single-lever basin mixer 1/2" L-size ; nominated flow rate 5.5 L/min in WELS Grade 2 ; Registration No. TM 17-0192 |
| Dimensions | L127 x W100 x H244 mm |
| Model | 23541EN1 |
| Material | Metal |
| Finish | Brushed Nickel |
| Country of origin | Portugal |
| Manufacturer | GROHE Limited |
| Supplier | Acme Sanitary Ware Co. Ltd Mr. Eric Wong/ Mr. Don Yuen |
| Contact Tel/Fax | (852) 2388-7171 / (852) 2710-8012 |
| E-mail | acme@acmesanitary.com.hk |
| Website | www.acmesanitary.com.hk |

| | | | | | |
|-----------------------------|------|------|------|------|------|
| Dynamic flow pressure (kPa) | 50 | 150 | 250 | 350 | 500 |
| Flow rate (l/min) | 3.10 | 5.10 | 6.00 | 5.60 | 5.50 |

Essence
 Single-lever basin mixer 1/2"
 L-Size
 single hole installation
 metal lever
GROHE SilkMove 28 mm ceramic cartridge
 with temperature limiter
GROHE StarLight chrome finish
GROHE EcoJoy mousseur 5.7 l/min
GROHE AquaGuide adjustable mousseur
GROHE QuickFix Plus installation system
 swivel spout with mousseur and stop limiter
 smooth body
 flexible connection hoses
 min. recommended pressure 1.0 bar



Illustration/ Drawing



Colour options:

- 001 | StarLight Chrome
- DC1 | SuperSteel
- DA1 | Warm Sunset
- A01 | Hard Graphite
- AL1 | Brushed Hard Graphite
- GL1 | Cool Sunrise
- GN1 | Brushed Cool Sunrise
- DL1 | Brushed Warm Sunset
- BE1 | Polished Nickel
- EN1 | Brushed Nickel

* All information of the above is for the reference only. No prior notice is made if any changes.



自願參與用水效益標籤計劃 - 水龍頭
Voluntary Water Efficiency Labelling Scheme - Water Taps



茲證明
This is to certify that

將下列水龍頭在本計劃內註冊：
has registered the following water tap under this scheme :

| | | |
|--------------------------------|---|----------|
| 牌 子 / Brand | : | GROHE |
| 型 號 / Model | : | 23541XX1 |
| 種 類 / Type | : | Mixing |
| 原產地 / Country or Region Origin | : | Portugal |

在用水效益標籤上展示的標誌

Symbolic Presentation on the Water Efficiency Label



滴水點

Water droplet(s)

用水效益級別

Water Efficiency Grade

: 2

耗水量

Water Consumption

: 5.5

公升/分鐘

litres/minute

簽發日期: 16 November 2017
Date of Issue:



水務署
Water Supplies Department



水務署署長(周世威代行)
for Director of Water Supplies